

## CDB5460A Evaluation Board and Software

### Features

- Direct Shunt Sensor and Current Transformer Interface
- RS-232 Serial Communication with PC
- On-board 80C51 Microcontroller
- On-board Voltage Reference
- Lab Windows/CVI™ Evaluation Software
  - Register Setup & Chip Control
  - FFT Analysis
  - Time Domain Analysis
  - Noise Histogram Analysis
- On-board Data SRAM
- Integrated RS-232 Test Mode
- “Auto-Boot” Demo with serial EEPROM

### General Description

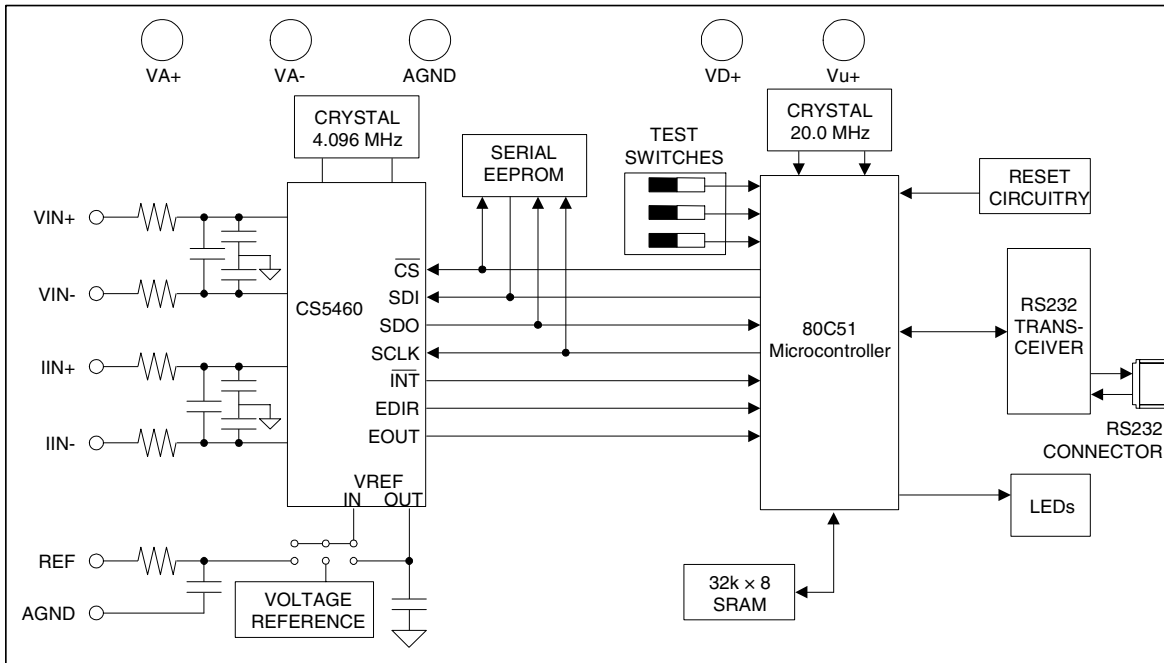
The CDB5460A is an inexpensive tool designed to evaluate the functionality and performance of the CS5460A. The CS5460A Data Sheet is supplied in conjunction with the CDB5460A evaluation board.

The evaluation board includes an LT1019 voltage reference, an 80C51 microcontroller, an RS232 transceiver, and firmware. The 8051 controls the serial communication between the evaluation board and the PC via the firmware, enabling quick and easy access to all of the CS5460A’s registers and functions.

The CDB5460A includes software for Data Capture, Time Domain Analysis, Histogram Analysis, and Frequency Domain Analysis.

**ORDERING INFORMATION**  
CDB5460A

Evaluation Board



*Preliminary Product Information*

This document contains information for a new product. Cirrus Logic reserves the right to modify this product without notice.

---

## TABLE OF CONTENTS

<b>1. HARDWARE</b> .....	<b>5</b>
1.1 Introduction .....	5
1.2 Evaluation Board Overview .....	5
1.2.1 Analog Section .....	5
1.2.2 Digital Section .....	6
1.2.3 Power Supply Section .....	6
1.3 Using the Evaluation Board .....	6
<b>2. SOFTWARE</b> .....	<b>8</b>
2.1 Installation Procedure .....	9
2.2 Using the Software .....	9
2.3 Selecting and Testing a COM Port .....	9
2.4 Register Access in the Setup Window .....	10
2.4.1 Refresh Screen Button .....	10
2.4.2 CS5460A Crystal Frequency .....	10
2.4.3 Configuration Register .....	10
2.4.4 Mask Register / Status Register .....	11
2.4.5 Cycle Count / Pulse Rate / Time Base Registers .....	11
2.4.6 Control Register .....	12
2.5 Calibration Window .....	12
2.5.1 Offset / Gain Register .....	12
2.5.2 Performing Calibrations .....	12
2.6 Conversion Window .....	13
2.6.1 Single Conversion Button .....	14
2.6.2 Continuous Conversions Button .....	14
2.6.3 Re-Initialize Serial Port Button .....	14
2.6.4 Standby / Sleep Mode Buttons .....	14
2.6.5 Power Up Button .....	14
2.7 Viewing Pulse Rate Output Data .....	14
2.7.1 Integration Period Box .....	15
2.7.2 Periods To Average Box .....	15
2.7.3 Start Button .....	15
2.8 Data Collection Window Overview .....	15
2.8.1 Time Domain / FFT / Histogram Selector .....	15
2.8.2 Collect Button .....	17

---

### Contacting Cirrus Logic Support

For a complete listing of Direct Sales, Distributor, and Sales Representative contacts, visit the Cirrus Logic web site at:

<http://www.cirrus.com/corporate/contacts/>

---

*IBM, AT and PS/2 are trademarks of International Business Machines Corporation.*

*Windows is a trademark of Microsoft Corporation.*

*LabWindows and CVI are trademarks of National Instruments.*

*SPI™ is a trademark of Motorola.*

*Microwire™ is a trademark of National Semiconductor.*

Preliminary product information describes products which are in production, but for which full characterization data is not yet available. Advance product information describes products which are in development and subject to development changes. Cirrus Logic, Inc. has made best efforts to ensure that the information contained in this document is accurate and reliable. However, the information is subject to change without notice and is provided "AS IS" without warranty of any kind (express or implied). No responsibility is assumed by Cirrus Logic, Inc. for the use of this information, nor for infringements of patents or other rights of third parties. This document is the property of Cirrus Logic, Inc. and implies no license under patents, copyrights, trademarks, or trade secrets. No part of this publication may be copied, reproduced, stored in a retrieval system, or transmitted, in any form or by any means (electronic, mechanical, photographic, or otherwise) without the prior written consent of Cirrus Logic, Inc. Items from any Cirrus Logic website or disk may be printed for use by the user. However, no part of the printout or electronic files may be copied, reproduced, stored in a retrieval system, or transmitted, in any form or by any means (electronic, mechanical, photographic, or otherwise) without the prior written consent of Cirrus Logic, Inc. Furthermore, no part of this publication may be used as a basis for manufacture or sale of any items without the prior written consent of Cirrus Logic, Inc. The names of products of Cirrus Logic, Inc. or other vendors and suppliers appearing in this document may be trademarks or service marks of their respective owners which may be registered in some jurisdictions. A list of Cirrus Logic, Inc. trademarks and service marks can be found at <http://www.cirrus.com>.

---

2.8.3	Config Button .....	17
2.8.4	Output Button .....	17
2.8.5	Zoom Button .....	17
2.8.6	Channel Select Buttons .....	17
2.9	Config Window .....	17
2.9.1	Number of Samples .....	17
2.9.2	Average .....	17
2.9.3	FFT Window .....	17
2.9.4	Histogram Bin Width .....	17
2.9.5	Pages to Collect .....	17
2.9.6	Data to Collect .....	17
2.9.7	Accept Button .....	18
2.10	Collecting Data Sets .....	18
2.11	Retrieving Saved Data From a File .....	18
2.12	Analyzing Data .....	18
2.13	Histogram Information .....	18
2.13.1	BIN .....	18
2.13.2	MAGNITUDE .....	18
2.13.3	MAXIMUM .....	18
2.13.4	MEAN .....	19
2.13.5	MINIMUM .....	19
2.13.6	STD. DEV. ....	19
2.13.7	VARIANCE .....	19
2.14	Frequency Domain Information .....	19
2.14.1	FREQUENCY .....	19
2.14.2	MAGNITUDE .....	19
2.14.3	S/D .....	19
2.14.4	S/N+D .....	19
2.14.5	SNR .....	19
2.14.6	S/PN .....	19
2.14.7	# of AVG .....	19
2.15	Time Domain Information .....	19
2.15.1	COUNT .....	19
2.15.2	MAGNITUDE .....	19
2.15.3	MAXIMUM .....	19
2.15.4	MINIMUM .....	19
<b>3.</b>	<b>ADDENDUM .....</b>	<b>28</b>
3.1	Board Modifications for Charge Pump .....	28

## LIST OF FIGURES

Figure 1.	Start-Up Window .....	10
Figure 2.	Setup Window .....	11
Figure 3.	Calibration Window .....	12
Figure 4.	Conversion Window .....	13
Figure 5.	Pulse Rate Output Window .....	14
Figure 6.	Time Domain Analysis .....	15
Figure 7.	FFT Analysis .....	16
Figure 8.	Histogram Analysis .....	16
Figure 9.	Analog Schematic Part 1 .....	20
Figure 10.	Analog Schematic Part 2 .....	21
Figure 11.	Digital Schematic Part 1 .....	22

---

Figure 12.	Digital Schematic Part 2 .....	23
Figure 13.	Power Supply Schematic .....	24
Figure 14.	Silkscreen .....	25
Figure 15.	Circuit Side .....	26
Figure 16.	Solder Side .....	27

**LIST OF TABLES**

Table 1.	Reference Selection .....	5
Table 2.	Power Supply Connections .....	6
Table 3.	Header, Jumper, and DIP Switch Descriptions .....	7
Table 4.	DIP Switch S1 Setting .....	8

## 1. HARDWARE

### 1.1 Introduction

The CDB5460A evaluation board provides a quick means of evaluating the CS5460A Power Meter IC. The CDB5460A evaluation board's analog section operates from either a single +5 V or dual  $\pm 2.5$  V power supply. The evaluation board interfaces the CS5460A to an IBM<sup>TM</sup> compatible PC via an RS-232 interface. To accomplish this, the board comes equipped with an 80C51 microcontroller and a 9-pin RS-232 cable which physically interfaces the evaluation board to the PC. Additionally, analysis software provides easy access to the internal registers of the CS5460A, and provides a means to display the performance in the time domain or frequency domain.

### 1.2 Evaluation Board Overview

The board is partitioned into two main sections: analog and digital. The analog section consists of the CS5460A and a precision voltage reference. The digital section consists of the 80C51 microcontroller, 32 Kilobytes of SRAM, the hardware test switches, the reset circuitry, and the RS-232 interface. The board also has a user friendly power supply connection.

#### 1.2.1 Analog Section

The CS5460A is designed to accurately measure and calculate: Energy, Instantaneous Power,  $I_{RMS}$ , and  $V_{RMS}$  while operating from a 4.096 MHz crystal. As shown in Figure 9 there are four BNC connectors (J9, J10, J11, J12) provided for converter input connections. A Shunt Sensor or Current Transformer can be connected to the converter's current inputs via J10 (IIN+) and J9 (IIN-). A voltage divider can be connected to the converter's voltage input via J12 (VIN+) and (J11) (VIN-). Note, a simple RC network filters the sensor's output to reduce any interference picked up by the in-

put leads. The 3 dB corner of the filter is approximately 50 KHz differential and common mode.

The evaluation board provides three voltage reference options, on-chip, on-board and external, as shown in Figure 10. Table 1 illustrates the options available. With HDR4's jumpers in position REFOUT, the on-chip reference provides 2.5 volts. With HDR4's jumpers in position LT1019, the LT1019 provides 2.5 volts (the LT1019 was chosen for its low drift, typically 5 ppm/ $^{\circ}$ C). By setting HDR4's jumpers to position REF+, the user can supply an external voltage reference to J2's REF+ and VA- inputs. Application Note 4 on the web (<http://www.cirrus.com/products//pubs.html>) details various voltage references.

Reference	Description	HDR4
LT1019	Selects on board LT1019 Reference (5ppm/ $^{\circ}$ C)	<input checked="" type="radio"/> LT1019 <input type="radio"/> REF+ <input type="radio"/> REFOUT
REF+	Selects external reference	<input type="radio"/> LT1019 <input checked="" type="radio"/> REF+ <input type="radio"/> REFOUT
REFOUT	Selects the reference supplied by CS5460A	<input type="radio"/> LT1019 <input type="radio"/> REF+ <input checked="" type="radio"/> REFOUT

**Table 1. Reference Selection**

The CS5460A serial interfaces are *SPI<sup>TM</sup>* and *Microwire<sup>TM</sup>* compatible. The interface control lines ( $\overline{CS}$ , SDI, SDO, and SCLK) are connected to the 80C51 microcontroller via port one. To interface an external microcontroller, these control lines are also connected to HDR6 (Header 6). However to accomplish this, the evaluation board must be modified in one of three ways: 1) cut the interface control traces going to the microcontroller, 2) remove resistors R4, R7, R8, and R13, or 3) remove the microcontroller.

### 1.2.2 Digital Section

The schematics for the digital section are shown in Figures 11 and 12. The digital section contains the microcontroller, test switches, a Motorola MC145407 interface chip, and 32K bytes of SRAM, and one serial EEPROM. The test switches aid in debugging communication problems between the CDB5460A and the PC. The microcontroller derives its clock from a 20.0 MHz crystal. From this, The RS-232 data conversion IC (U1) is configured to communicate via RS-232 at 9600 baud, no parity, 8-bit data, and 1 stop bit.

### 1.2.3 Power Supply Section

Figure 13 illustrates the power supply connections to the evaluation board. The VA+ post supplies the positive analog section of the evaluation board, the LT1019 and the ADC. The VA- post supplies the negative analog voltage circuitry. Note, this terminal is grounded when powering the CDB5460A from a single +5 Volt analog supply. The VD+ post supplies the digital section of the ADC and level shifter. The Vu+ post supplies the digital section of the evaluation board, the 80C51, the reset circuitry, and the RS-232 interface circuitry. Note, the board's digital section supplied via Vu+ post, must

be +5 Volts only. Table 2 shows the various power connections with the required jumper settings on HDR3 and HDR5.

### 1.3 Using the Evaluation Board

The CS5460A is a highly integrated device, containing dual ADCs with a computational unit. The CS5460A and CDB5460A data sheets should be read thoroughly and understood before using the CDB5460A evaluation board. The CS5460A contains a programmable gain amplifier (PGA), two  $\Delta\Sigma$  modulators, two high rate filters, an on-chip reference, and power calculation engine to compute Energy,  $V_{RMS}$ ,  $I_{RMS}$ , and Instantaneous Power. The PGA sets the input levels of the current channel at either 30 mV<sub>RMS</sub> or 150 mV<sub>RMS</sub> (for VREFIN = 2.5 V). The on-chip reference can provide the necessary 2.5 V reference. This output (VREFOUT) is used to supply the VREFIN pin with 2.5 V. The  $\Delta\Sigma$  modulators and high rate digital filter allow the user to measure instantaneous voltage, current, and power at a output word rate of 4000 Hz when a 4.096 MHz clock source is used. Table 3 describes the various headers, jumpers and DIP switches on the CDB5460A evaluation board. DIP switch S1 is used to control the 80C51. Table 4 illustrates the varies setting of the DIP Switch S1.

Power Supplies		Power Post Connections					Jumpers	
Analog	Digital	VA+	VA-	GND	VD+	Vu+	HDR5	HDR3
+5V	+5V	+5	NC	GND	+5	NC	Vu+ ○ ○ VDDD VD+ ●● VDDD VD+ ○ ○ D+ VA+ ●● D+	VA- ○ ○ DGND A- ●● DGND
+5V	+3V	+5	NC	GND	+3	+5	Vu+ ●● VDDD VD+ ○ ○ VDDD VD+ ●● D+ VA+ ○ ○ D+	VA- ○ ○ DGND A- ●● DGND
±2.5V	+3V	+2.5	-2.5	NC	+3	+5	Vu+ ●● VDDD VD+ ○ ○ VDDD VD+ ●● D+ VA+ ○ ○ D+	VA- ○ ○ DGND A- ○ ○ DGND

Table 2. Power Supply Connections

Name	Function Description	Default Setting	Default Jumpers
HDR1	Used to switch VIN+ on the CS5460A between J12 and GND.	VIN+ Set to BNC J12	VIN+ O O GND
HDR2	Used to switch VIN- on the CS5460A between J11 and GND.	VIN- Set to BNC J11	VIN- O O GND
HDR3	Used to switch VA-, A-, and GND. Refer to Table 2	Negative Analog Power Supply Set to 0 V	VA- O O GND A-  GND
HDR4	Used to switch the VREFIN from external J2 header, to the on board LT1019 reference, or to the on-chip reference VREFOUT. Refer to Table 1	VREFIN Set to on-chip reference VREFOUT	O O LT1019 O O REF+ REFOUT
HDR5	Used to switch VU+, VD+, and VA+ to VDDD and/or D+. Refer to Table 2	Digital Power Supply Set to +5V	Vu+ O O VDDD VD+  VDDD VD+ O O D+ VA+  D+
HDR6	Used to connect an external micro-controller.	Connected to 80C51	NC
HDR7	Used in conjunction with the self test modes to test the UART/RS-232 communication link between the microcontroller and a PC.	RS-232 Set to Normal Mode	HDR7
HDR8	Used to switch IIN+ on the CS5460A between J10 and GND.	IIN+ Set to BNC J10	IIN+ O O GND
HDR9	Used to switch IIN- on the CS5460A between J9 and GND.	IIN- Set to BNC J11	IIN- O O GND
HDR10	Used to switch XIN on the CS5460A to HDR6 when an external micro-controller is used.	XIN Set for on-board 4.096 MHz XTAL	O O DGND O O XIN
JP2	Used to connect PFMON pin on the CS5460A to monitor Power Supply VA+	PFMON Set Monitor VA+	JP2
JP4	Used to connect the RESET Button to the CS5460A	RESET Set not connected to CS5460A	O O JP4
S1	DIP switch to control 80C51 S1-1 is used to select RS-232 test mode S1-2 is used to select crystal to 80C51 S1-3 is used to enable <i>auto-boot mode</i>	S1-1 Set Normal S1-2 Set 20 MHz S1-3 Auto-Boot off	OPEN
HDR11	Allows LEDs D3 and D5 to indicate pulses on /EOUT and /EDIR. Pulse frequency must be less than ~6Hz to see light.	Disable LEDs	O O HDR11
HDR12	Used to disconnect XTAL1 input on microcontroller from off-board oscillator input.	Use on-board crystal	O O HDR12

**Table 3. Header, Jumper, and DIP Switch Descriptions**

80C51 Mode	S1
80C51 is in Normal Operating Mode S1-1 OPEN S1-2 CLOSED 20 MHz Crystal S1-3 OPEN	
80C51 is in Normal Operation Mode S1-1 OPEN S1-2 OPEN 11.059 MHz Crystal S1-3 OPEN	
80C51 is in Test Mode S1-1 CLOSED S1-2 CLOSED 20 MHz Crystal S1-3 OPEN	
80C51 is in Test Mode S1-1 CLOSED S1-2 OPEN 11.059 MHz Crystal S1-3 OPEN	
Auto-Boot Mode S1-1 OPEN S1-2 CLOSED S1-3 CLOSED	

**Table 4. DIP Switch S1 Setting**

The S1-1 switch should be set to the OPEN position for normal operation. When testing the RS-232 link in the PC software, close S1-1. The S1-2 switch selects the crystal source for the 80C51. There are two crystal options available, 11.059 MHz and 20 MHz. If S1-2 is OPEN the 11.059 MHz crystal is selected, and when S1-2 is CLOSED the 20 MHz crystal is selected.

If S1-3 is closed, the CS5460A operates in *auto-boot* mode. When in auto-boot mode, a hardware reset (press on S2) will cause the CS5460A to boot up using the serial data from the serial EEPROM on the board (U9). The EEPROM must be programmed prior to the auto-boot sequence. The EEPROM does come pre-programmed with a valid boot-up sequence. This sequence programs the

CS5460A for continuous conversion mode. If voltage and current signals are applied to the inputs, the CS5460A will issue pulses on the /EOOUT and /EDIR pins. Note that JP4 header must be shorted for auto-boot to work.

When the CDB5460 Evaluation Board is sent from the factory, the EEPROM is programmed with the following CS5460A command/data sequence:

```

40 00 00 61 ;In configuration Register, turn high-
              pass filters on, set K = 1.
4C 10 00 00 ;Set Pulse Rate Register to 32768 Hz.
E8           ;Start continuous conversions.
78 00 01 00 ;Write stop bit to CS5460A to terminate
              autoboot sequence.
    
```

The auto-boot sequence runs with no assistance from the 8051 microcontroller. The user can verify this by disconnecting power from the board, pulling the microcontroller out of its socket, then power on again and run in auto-boot mode. See the CS5460A data sheet for more details on auto-boot.

## 2. SOFTWARE

The evaluation board comes with software and an RS-232 cable to link the evaluation board to the PC. The evaluation software was developed with Lab Windows/CVI™, a software development package from National Instruments. The software was designed to run under Windows 95™ or later, and requires about 3MB of hard drive space (2MB for the CVI Run-Time Engine™, and 1MB for the evaluation software). After installing the software, read the readme.txt file for any last minute updates or changes. More sophisticated analysis software can be developed by purchasing the development package from National Instruments (512-794-0100).



## 2.1 Installation Procedure

- 1) Turn on the PC, running Windows 95™ or later.
- 2) Insert the Installation Diskette #1 into the PC.
- 3) Select the Run option from the Start menu.
- 4) At the prompt, type: A:\SETUP.EXE <enter>.
- 5) The program will begin installation.
- 6) If it has not already been installed on the PC, the user will be prompted to enter the directory in which to install the CVI Run-Time Engine™. The Run-Time Engine™ manages executables created with Lab Windows/CVI™. If the default directory is acceptable, select OK and the Run-Time Engine™ will be installed there.
- 7) After the Run-Time Engine™ is installed, the user is prompted to enter the directory in which to install the CDB5460A software. Select OK to accept the default directory.
- 8) Once the program is installed, it can be run by double-clicking on the EVAL5460A icon, or through the Start menu.

Notes: The software is written to run with 640 x 480 resolution; however, it will work with 1024 x 768 resolution. If the user interface appears to be small, the user might consider setting the display settings to 640 x 480. (640x480 was chosen to accommodate a variety of computers).

## 2.2 Using the Software

Before launching the software, the user should set up the CDB5460A evaluation board by using the correct jumper and DIP switch settings as described in Part I, and connect it to an open COM port on the PC using the RS-232 serial cable. Once the board is powered on, the user can start the software package.

When the software is launched, the Start-Up window appears first (Figure 1). This window contains information concerning the software's title, revision number, copyright date, etc. At the top of the screen is a menu bar which displays user options. The menu bar item Menu is initially disabled to prevent conflicts with other serial communications devices, such as the mouse or a modem. After selecting a COM port, the Menu item will become available.

## 2.3 Selecting and Testing a COM Port

Upon start-up, the user is prompted to select the serial communications port which will interface to the CDB5460A board. To select the COM port, pull down the Setup menu option, and select either COM1 or COM2 (the DISK option is used for previously saved files, and is discussed later). Testing the COM port to verify communication between the PC and the evaluation board is not necessary, but can help to troubleshoot some problems. The procedure for testing the communication link follows.

- 1) Pull down the Setup menu option again, and select TEST RS-232.
- 2) When prompted, set DIP switch 1 (the leftmost DIP switch) to the closed position, reset the board, and press OK to perform the test.
- 3) If the test passes, set DIP switch 1 to the open position, and reset the board to return to normal operating mode.
- 4) If the test fails, check the serial port connections, power connections, jumpers, and DIP switch settings on the board, and run the test again from step 1.

Once the serial link is established between the PC and the evaluation board, the user is ready to access the internal registers of the CS5460A, collect data, and perform analysis on the collected data.

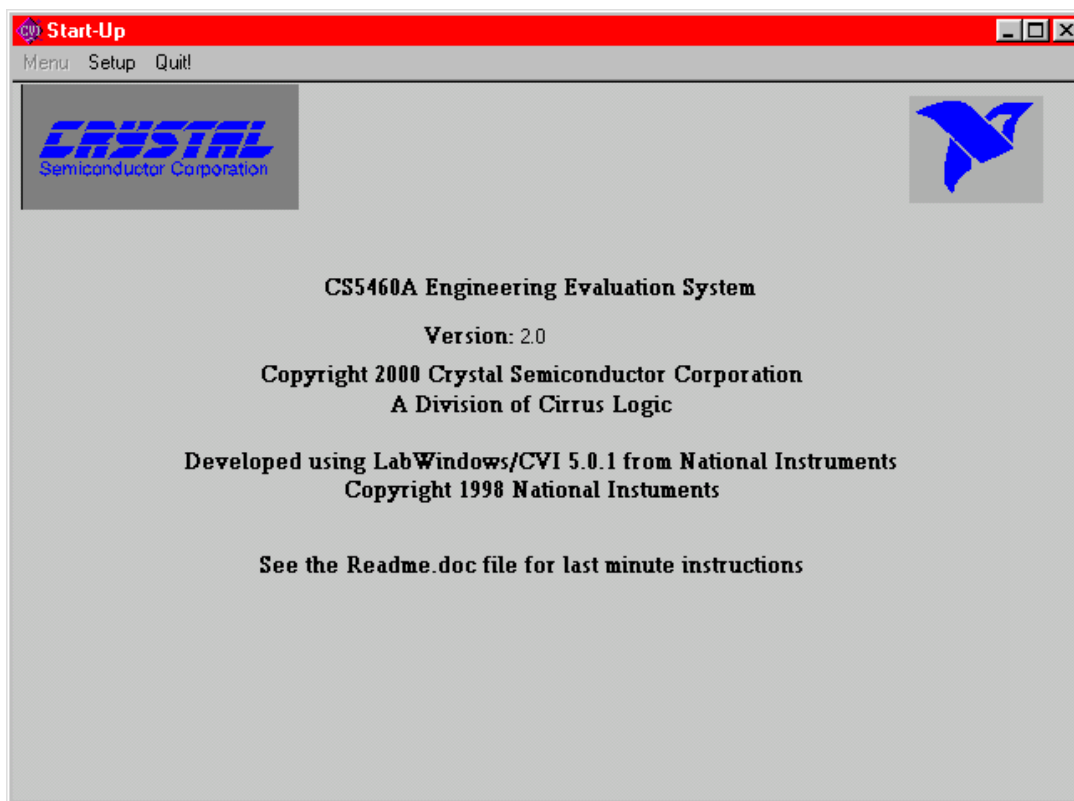


Figure 1. Start-Up Window

## 2.4 Register Access in the Setup Window

The Evaluation software provides access to the CS5460A's internal registers in the Setup Window (Figure 2). The user can enter the Setup Window by pulling down Menu and selecting Setup Window, or by pressing F2 on the keyboard.

In the Setup Window, all of the CS5460A's registers are displayed in hexadecimal notation, and also decoded to provide easier readability. Refer to the CS5460A data sheet for information on register functionality and meanings.

### 2.4.1 Refresh Screen Button

The Refresh Screen button will update the contents of the screen by reading all the register values from the part. This usually takes a couple of seconds, but it is a good idea to press the Refresh Screen button when entering the Setup Window, or after modify-

ing any registers to reflect the current status of the part.

### 2.4.2 CS5460A Crystal Frequency

The CS5460A accepts a wide range of crystal input frequencies, and can therefore run at many different sample rates. The crystal frequency being used on the CS5460A should be entered in this box to provide accurate frequency calculations in the FFT window. This will also help the software decide which functions can be performed reliably with the evaluation system.

### 2.4.3 Configuration Register

In the Configuration Register box, the contents of the Configuration Register can be modified by typing a hexadecimal value in the HEX: box, or by changing any of the values below the HEX: box to the desired settings. Note that when changing the

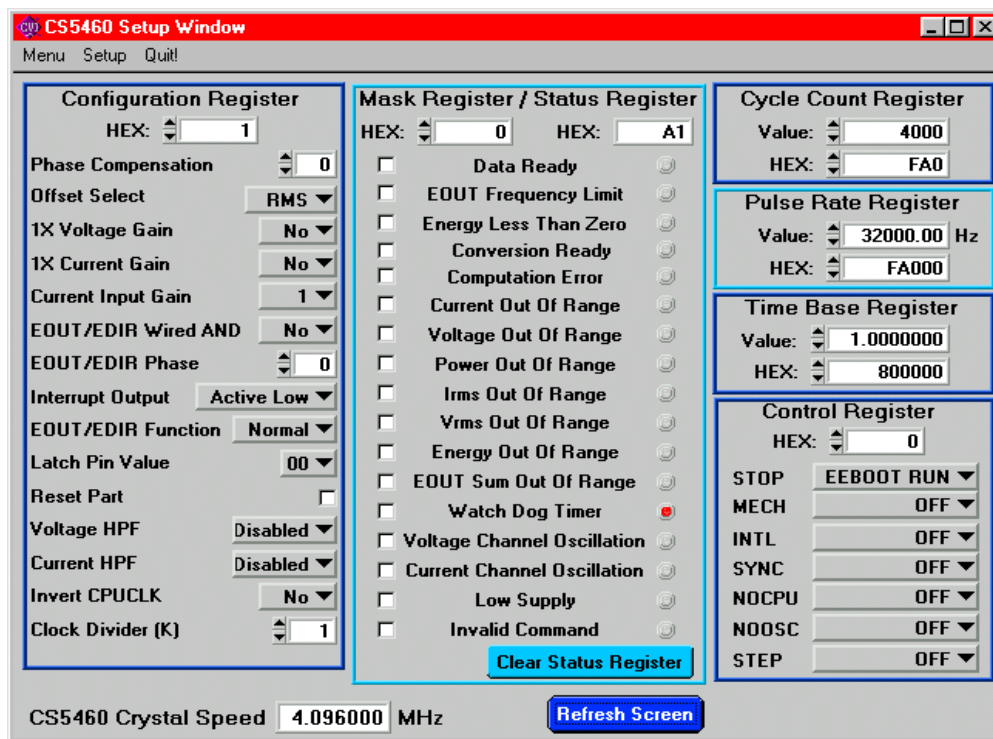


Figure 2. Setup Window

value of the reset bit to ‘1’ (RS, bit 7 in the Configuration Register), the part will be reset, and all registers will return to their default values. Press the Refresh Screen button after performing a reset to update the screen with the new register values.

Note: Although the CDB5460A software allows the user to modify any of the bits in the Configuration Register, changing certain bits may cause the software and board to behave erratically. For the evaluation system to function properly, the Interrupt Output function should be set to the default Active Low, and the Eout / Edir Function should be set to the default Normal. This applies only to the CDB5460A evaluation system, and not to the CS5460A chip itself.

#### 2.4.4 Mask Register / Status Register

The Mask and Status Registers are displayed in hexadecimal and decoded in this box to show what each of the bits means. The Mask Register can be modified by typing a value in the HEX: box, or by

checking the appropriate check boxes for the bits that are to be masked. The Status Register cannot be directly modified. It can only be reset by pressing the Clear Status Register Button. The HEX: box for this register, and the LEDs are display only. A LED that is on means that the corresponding bit in the Status Register is set (except the Invalid Command bit, which is inverted).

Note: The value present in the Mask register may be changed by the software during certain operations to provide correct functionality of the CDB5460A board.

#### 2.4.5 Cycle Count / Pulse Rate / Time Base Registers

These three boxes display the values of the Cycle Count, Pulse Rate, and Time Base Registers in both hexadecimal and decimal format. All three registers can be modified by typing a value in the corresponding Value: or HEX: box.

### 2.4.6 Control Register

The Control Register contains various bits used to activate or terminate various features of the CS5460A. Refer to the CS5460A data sheet for description of the bits. The user is able to turn each bit on or off individually. The value of the Control Register is displayed in HEX. Note that the Control Register, like all other CS5460A registers, is 24 bits long. Most of these bits are reserved or unused. Only the usable bits are displayed in the Setup Window.

### 2.5 Calibration Window

The Calibration Window is used to display and write to the CS5460A offset and gain calibration registers. The user is also able to initiate the CS5460A's calibration sequences that are used to set the calibration values. Both AC and DC calibrations can be run for offset and gain, for either the voltage channel or the current channel, or both simultaneously. The user should refer to the

CS5460A data sheet for more details on calibration.

#### 2.5.1 Offset / Gain Register

In the Offset and Gain Register boxes, the offset and gain registers for both channels are displayed in hexadecimal and decimal. These registers can all be modified directly by typing the desired value in the hexadecimal display boxes. There are two types of offset registers: DC offset and AC offset. The AC offset registers only affect the RMS-register values. Note that the RMS offset registers only hold positive values between 0 and +1. The DC offset register is a two's complement number whose value ranges from -1 to +1.

#### 2.5.2 Performing Calibrations

Offset and gain calibrations can be performed on both the voltage and current channels of the CS5460A. It is generally a good idea to software-reset the CS5460A before running calibrations, because the values in the calibration registers will affect the results of the calibration. A software reset

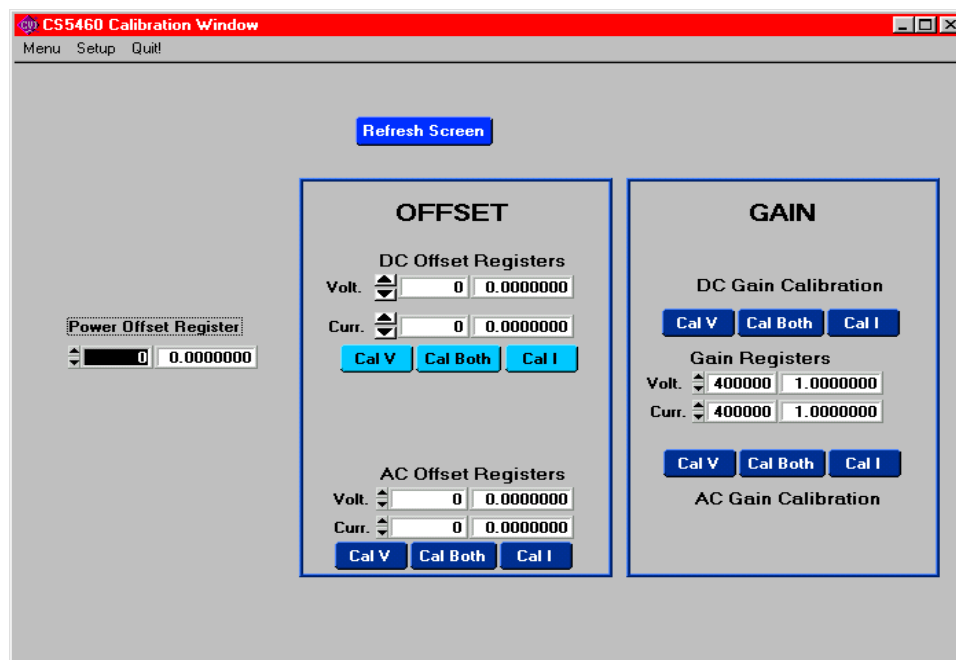


Figure 3. Calibration Window

will reset these registers back to the default values of zero offset and unity gain. Offset calibration should be performed before gain calibration to ensure accurate results.

### 2.5.2.1. Offset Calibrations:

- 1) Ground the channel(s) you want to calibrate directly at the channel header(s). HDR1 and HDR2 for the voltage channel, and HDR8 and HDR9 for the current channel. The channel(s) could also be grounded directly at the BNC connectors.
- 2) Press the corresponding AC or DC offset calibrate button (Cal V, Cal I, or Cal Both) in the Offset Register boxes.
- 3) The calibration value(s) will automatically update when the calibration is completed.

### 2.5.2.2. Gain Calibrations:

- 1) Attach an AC or DC calibration signal to the BNC connector(s), and make sure the corresponding channel headers (HDR1, HDR2,

HDR8, and HDR9) are set to the input position.

- 2) Press the corresponding AC or DC gain calibrate button (Cal V, Cal I, or Cal Both) in the Gain Register box.
- 3) The calibration value(s) will automatically update when the calibration is completed.

The Calibration Window also contains the Power Offset Register display and adjustment. The user can read and write the value in the Power Offset Register.

## 2.6 Conversion Window

The Conversion Window (Figure 4) allows the user to see the results of single and continuous conversions on all six data registers, perform data averaging, utilize the power-saving modes of the CS5460A, and reset the CS5460A's serial port. The Conversion Window can be accessed by pulling down the Menu option, and selecting Conversion Window, or by pressing F3.

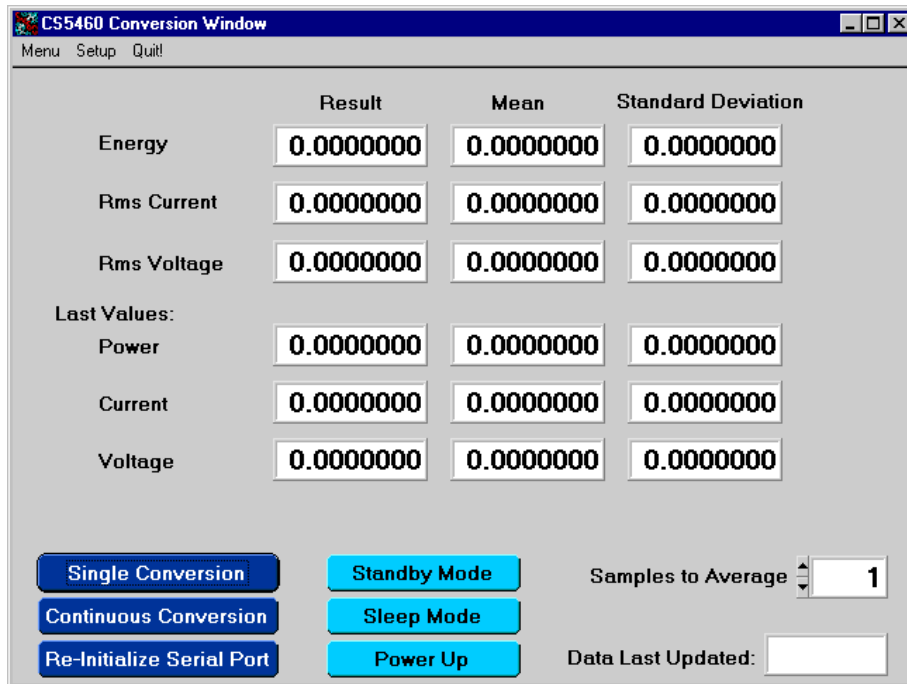


Figure 4. Conversion Window

### 2.6.1 Single Conversion Button

On pressing this button, single conversions will be performed repeatedly until the user presses the Stop button. After each conversion is complete, the Result data column will update with the values present in each data register. The Mean and Standard Deviation columns will update every N cycles, where N is the number in the Samples to Average box. Note that it can take many collection cycles after pressing the Stop button before the data actually stops being collected.

### 2.6.2 Continuous Conversions Button

This button functions similarly to the Single Conversion button, except that continuous conversions are performed instead. The data on the screen is updated in the same fashion, and the Stop button terminates this action. There are some speed limitations when performing this function, and if any of these limitations are exceeded, the user will be prompted to change some settings before proceeding.

### 2.6.3 Re-Initialize Serial Port Button

When this button is pressed, the software will send the synchronization sequence discussed in the

CS5460A data sheet to the part. This sequence brings the CS5460A's serial port back to a known state. It does not reset any of the registers in the part.

### 2.6.4 Standby / Sleep Mode Buttons

When these buttons are pressed, the part will enter either Standby or Sleep power saving modes. To return to normal mode, use the Power Up button.

### 2.6.5 Power Up Button

This button is used to send the Power Up/Halt command to the CS5460A. The part will return to normal operating mode and halt any conversions that are being done at this time.

## 2.7 Viewing Pulse Rate Output Data

The CS5460A features a pulse-rate energy output. The CDB5460A has the capability to demonstrate the functionality of this output in the Pulse Rate Output Window (Figure 5). The Pulse Rate Output Window can be accessed by pressing the F4 key, or by pulling down the Menu option, and selecting Pulse Rate Window.

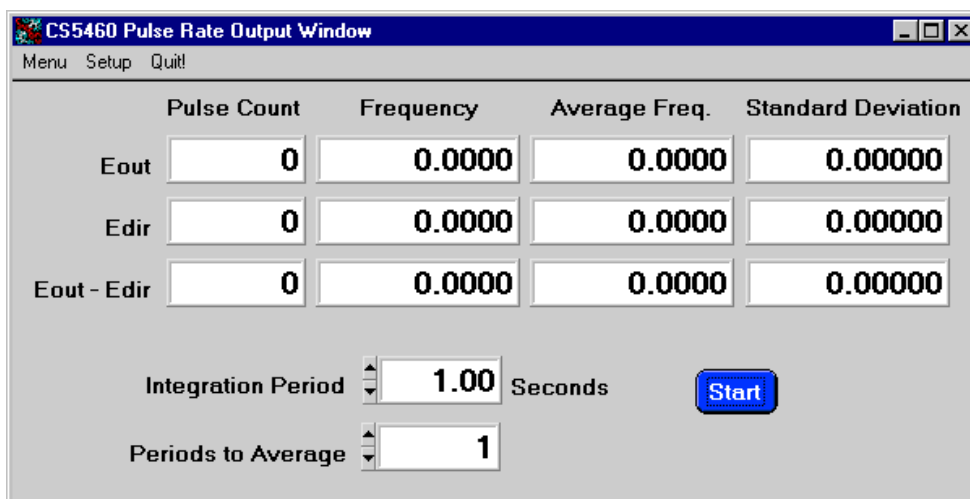


Figure 5. Pulse Rate Output Window

**2.7.1 Integration Period Box**

This box allows the user to select the length of time which pulses will be collected over.

**2.7.2 Periods To Average Box**

This box allows the user to average a number of integration periods together.

**2.7.3 Start Button**

When the Start button is pressed, the CDB5460A will capture pulse rate data according to the values in the Integration Period and Periods to Average boxes. After each integration period, the Pulse Count and Frequency columns will be updated. The Average Freq. and Standard Deviation columns will only be updated after all of the integrations have been collected. The software stops collecting data when the user presses the Stop button, or when the data collection is finished. Due to some speed

limitations of the on-board microcontroller, some higher pulse rates cannot be accurately collected. If the pulse rate is too high, a warning message will appear.

**2.8 Data Collection Window Overview**

The Data Collection Window (Figures 6, 7, and 8) allows the user to collect sample sets of data from the CS5460A and analyze them using time domain, FFT, and histogram plots. The Data Collection Window is accessible through the Menu option, or by pressing F5.

**2.8.1 Time Domain / FFT / Histogram Selector**

This menu selects the type of data processing to perform on the collected data and display in the plot area. Refer to the section on Analyzing Data for more information.

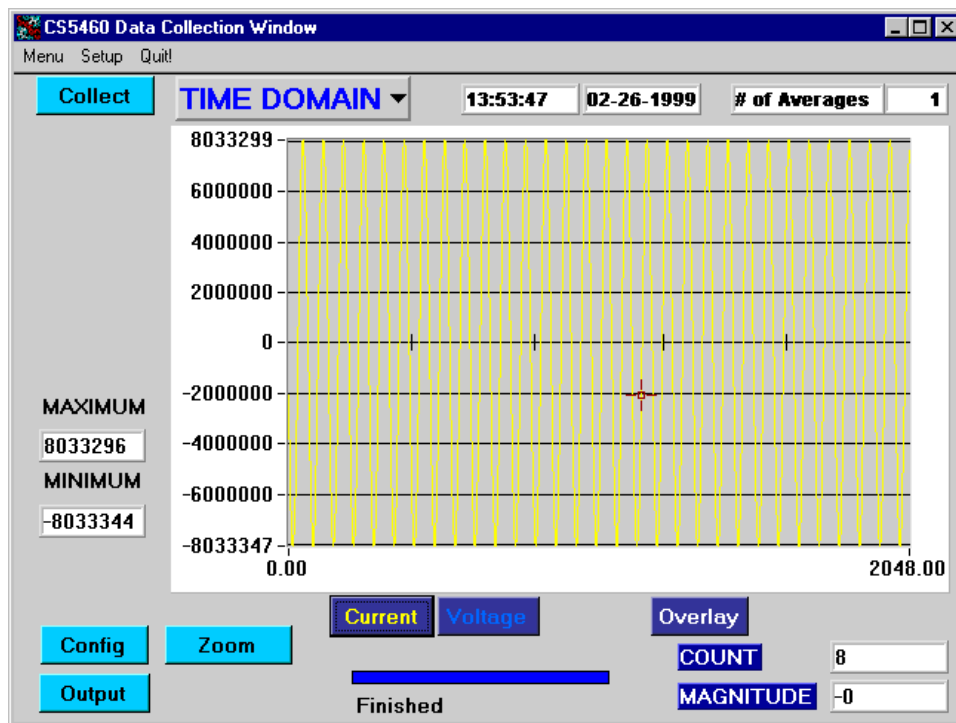


Figure 6. Time Domain Analysis

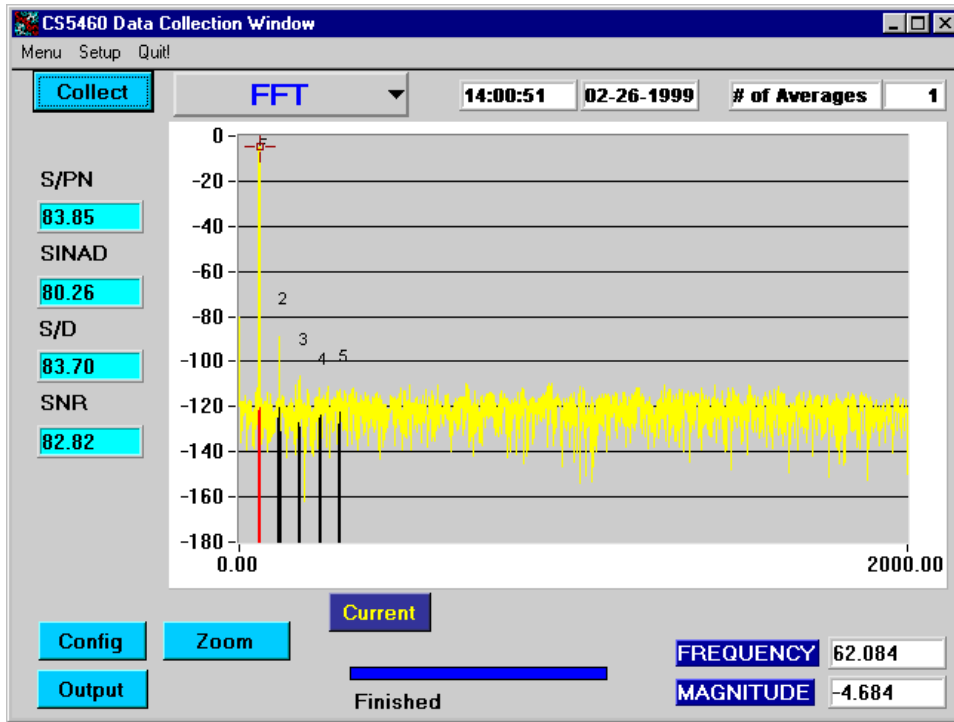


Figure 7. FFT Analysis

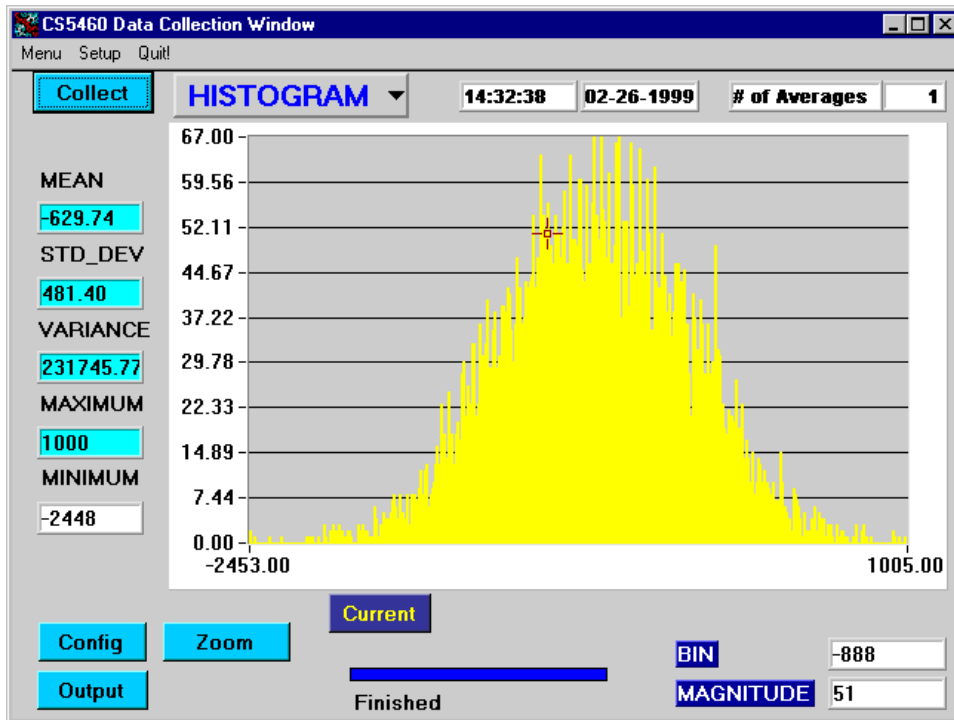


Figure 8. Histogram Analysis



### **2.8.2 Collect Button**

This button will collect data from the part, to be analyzed in the plot area. See the section on Collecting Data Sets for more information.

### **2.8.3 Config Button**

This button will bring up the configuration window, in which the user can modify the data collection specifications. See the discussion of the Config Window in this document.

### **2.8.4 Output Button**

This button will bring up a window in which the user can output the data to a file for later use, print out a plot, or print out the entire screen.

Note: When saving data, only the data channel being displayed on the plot will be saved to a file.

### **2.8.5 Zoom Button**

This button allows the user to zoom in on the plot by selecting two points in the plot area. Press the Restore button to return to the normal data plot, or press the Zoom button again to zoom in even further.

### **2.8.6 Channel Select Buttons**

Depending on the number of channels of information that has been collected, between 1 and 3 channel select buttons will appear below the graph, allowing the user to choose the appropriate channel for display. In the Time Domain mode, an additional button labeled "Overlay" will be present, to allow the user to display all of the channels on the same plot.

## **2.9 Config Window**

The Config Window allows the user to set up the data collection and analysis parameters.

### **2.9.1 Number of Samples**

This box allows the user to select the number of samples to collect, between 16 and 8192. Due to

memory size on the CDB5460A, the maximum is 4096 samples when collecting two channels, and 2048 samples when collecting three channels.

### **2.9.2 Average**

When doing FFT processing, this box will determine the number of FFTs to average. FFTs will be collected and averaged when the Collect button is pressed.

### **2.9.3 FFT Window**

This box allows the user to select the type of windowing algorithm for FFT processing. Windowing algorithms include the Blackman, Blackman-Harris, Hanning, 5-term Hodia, and 7-term Hodia. The 5-term Hodia and 7-term Hodia are windowing algorithms developed at Crystal Semiconductor.

### **2.9.4 Histogram Bin Width**

This box allows for a variable "bin width" when plotting histograms of the collected data. Each vertical bar in the histogram plot will contain the number of output codes contained in this box. Increasing this number may allow the user to view histograms with larger input ranges.

### **2.9.5 Pages to Collect**

This box determines the number of data "pages" that the microcontroller will collect before sending data to the PC. Each page consists of the number of samples collected, and only the last page will be returned to the PC for processing. This function is useful at higher sampling frequencies to minimize board-level noise at the beginning of the conversion set.

### **2.9.6 Data to Collect**

These six check boxes allow the user to select the data channels that will be collected and returned to the PC for processing. Up to three channels can be selected at once. There are some restrictions on the speed and number of samples to collect when selecting more than one channel. A warning message

will appear on pressing the Collect button in the Data Collection Window if any speed limits appear to be exceeded, but the data collection will still take place.

### **2.9.7 Accept Button**

When this button is pressed, the current settings will be saved, and the user will return to the Data Collection Window.

### **2.10 Collecting Data Sets**

To collect a sample data set:

- 1) In the Data Collection Window, press the Config button to bring up the Configuration Window and view the current settings.
- 2) Select the appropriate settings from the available options (see the section on the Configuration Window) and press the Accept button.
- 3) The Data Collection Window should still be visible. Press the Collect button to begin collecting data. A progress indicator bar will appear at the bottom of the screen during the data collection process.
- 4) Data is first collected from the CS5460A and stored in SRAM, and then transferred from the SRAM to the PC through the RS-232 serial cable. Depending on the value of the Cycle Count Register and the number of samples being collected, this process may take a long time. The process can be terminated by pressing the Stop button, but if this is done, the user should also press Reset on the CDB5460A board.
- 5) Once the data has been collected, it can be analyzed, printed, or saved to disk.

### **2.11 Retrieving Saved Data From a File**

The CDB5460A software allows the user to save data to a file, and retrieve it later when needed. To load a previously saved file:

- 1) Pull down the Setup option and select Disk. A file menu will appear.

- 2) Find the data file in the list and select it. Press the Select button to return.
- 3) Go to the Data Collection Window, and press the Collect button.
- 4) The data from the file should appear on the screen. To select a different file, repeat the procedure.

### **2.12 Analyzing Data**

The evaluation software provides three types of analysis tests - Time Domain, Frequency Domain, and Histogram. The Time Domain analysis processes acquired conversions to produce a plot of Magnitude versus Conversion Sample Number. The Frequency Domain analysis processes acquired conversions to produce a magnitude versus frequency plot using the Fast-Fourier transform (results up to  $F_s/2$  are calculated and plotted). Also, statistical noise calculations are calculated and displayed. The Histogram analysis test processes acquired conversions to produce a histogram plot. Statistical noise calculations are also calculated and displayed.

### **2.13 Histogram Information**

The following is a description of the indicators associated with Histogram Analysis. Histograms can be plotted in the Data Collection Window by setting the Time Domain / FFT / Histogram selector to Histogram (Figure 8).

#### **2.13.1 BIN**

Displays the x-axis value of the cursor on the Histogram.

#### **2.13.2 MAGNITUDE**

Displays the y-axis value of the cursor on the Histogram.

#### **2.13.3 MAXIMUM**

Indicator for the maximum value of the collected data set.

### **2.13.4 MEAN**

Indicator for the mean of the data sample set.

### **2.13.5 MINIMUM**

Indicator for the minimum value of the collected data set.

### **2.13.6 STD. DEV.**

Indicator for the Standard Deviation of the collected data set.

### **2.13.7 VARIANCE**

Indicates the Variance for the current data set.

## **2.14 Frequency Domain Information**

The following describe the indicators associated with FFT (Fast Fourier Transform) Analysis. FFT data can be plotted in the Data Collection Window by setting the Time Domain / FFT / Histogram selector to FFT (Figure 7).

### **2.14.1 FREQUENCY**

Displays the x-axis value of the cursor on the FFT display.

### **2.14.2 MAGNITUDE**

Displays the y-axis value of the cursor on the FFT display.

### **2.14.3 S/D**

Indicator for the Signal-to-Distortion Ratio, 4 harmonics are used in the calculations (decibels).

### **2.14.4 S/N+D**

Indicator for the Signal-to-Noise + Distortion Ratio (decibels).

### **2.14.5 SNR**

Indicator for the Signal-to-Noise Ratio, first 4 harmonics are not included (decibels).

### **2.14.6 S/PN**

Indicator for the Signal-to-Peak Noise Ratio (decibels).

### **2.14.7 # of AVG**

Displays the number of FFT's averaged in the current display.

## **2.15 Time Domain Information**

The following controls and indicators are associated with Time Domain Analysis. Time domain data can be plotted in the Data Collection Window by setting the Time Domain / FFT / Histogram selector to Time Domain (Figure 6).

### **2.15.1 COUNT**

Displays current x-position of the cursor on the time domain display.

### **2.15.2 MAGNITUDE**

Displays current y-position of the cursor on the time domain display.

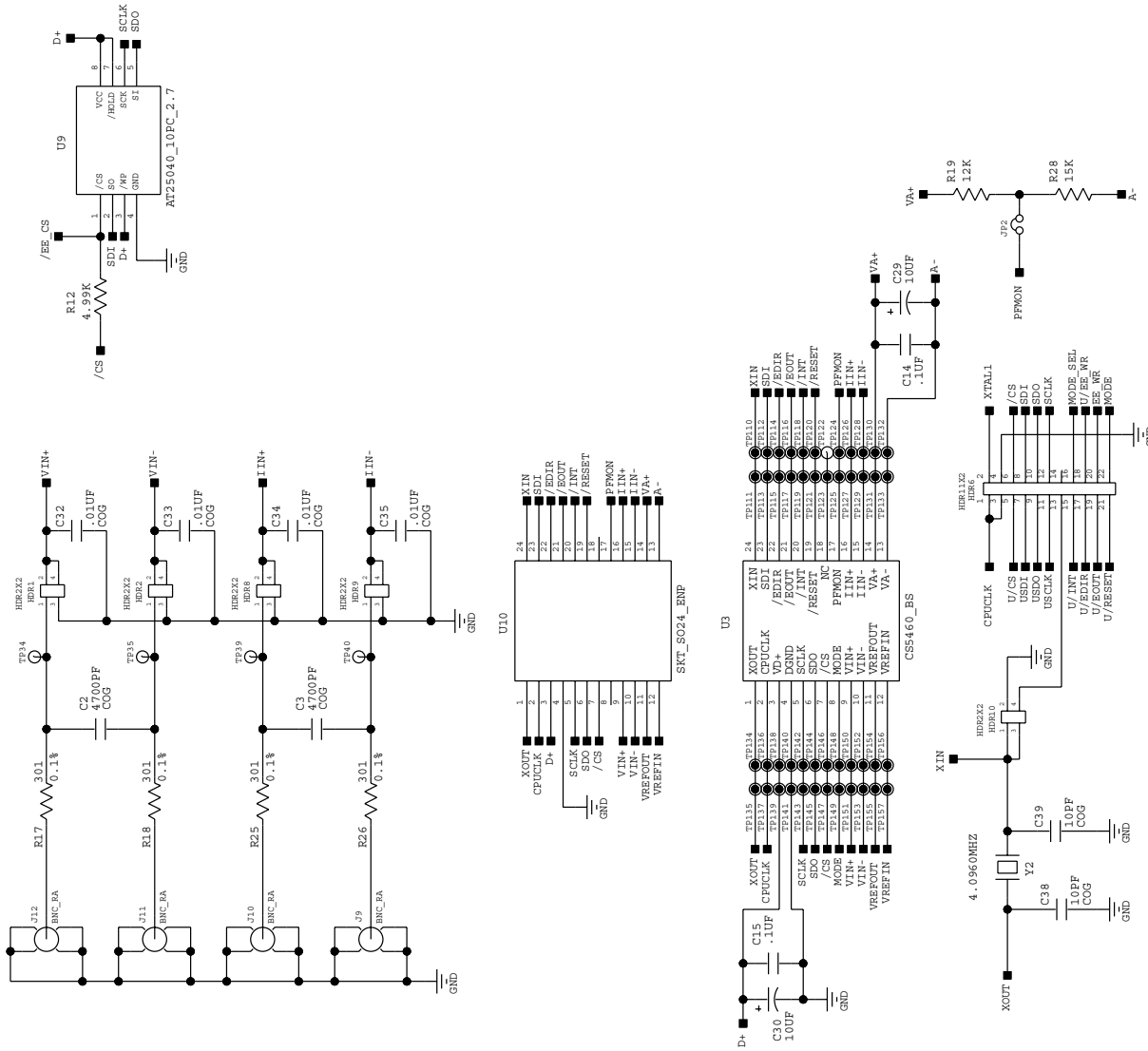
### **2.15.3 MAXIMUM**

Indicator for the maximum value of the collected data set.

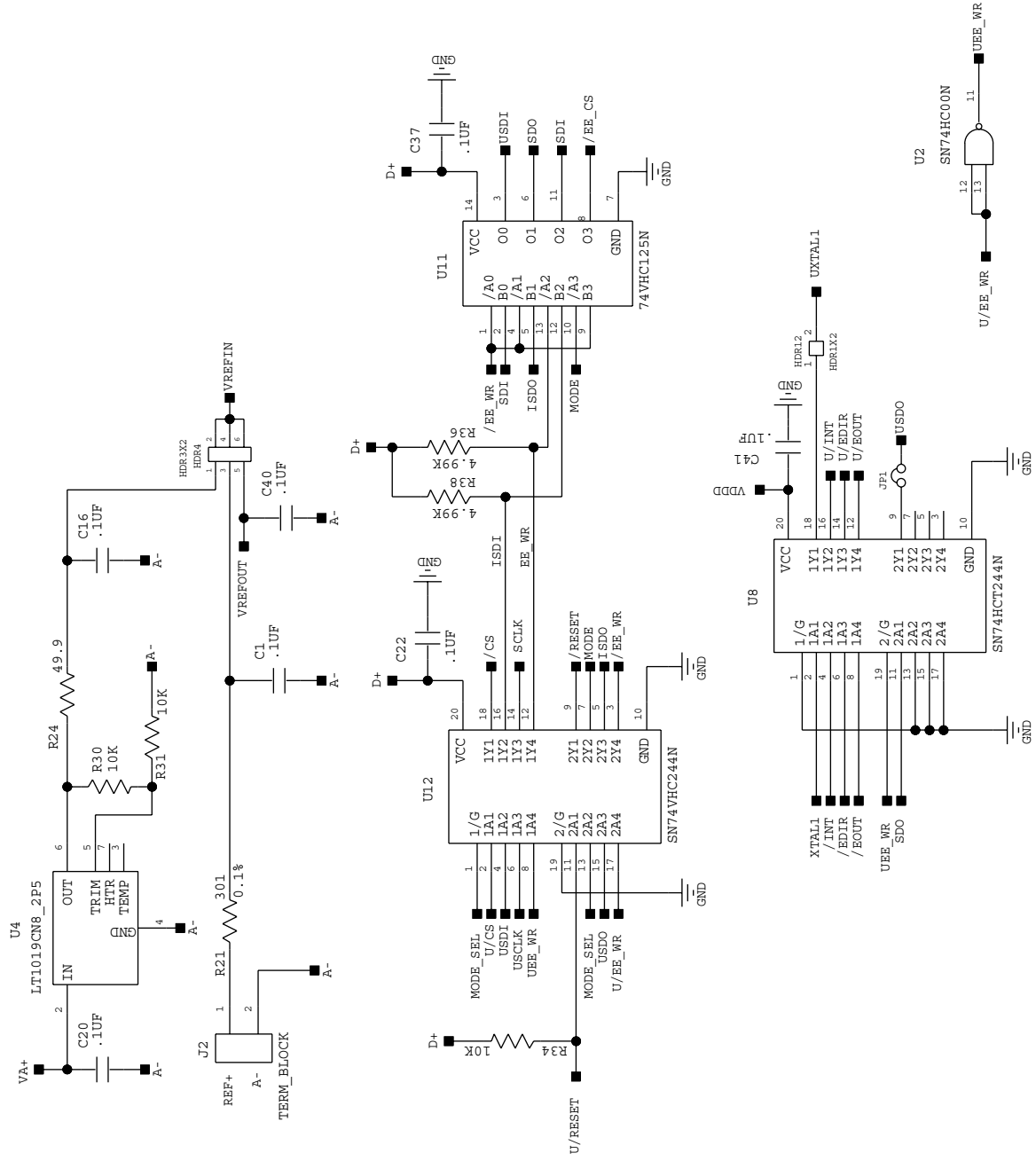
### **2.15.4 MINIMUM**

Indicator for the minimum value of the collected data set.





**Figure 9. Analog Schematic Part 1**



**Figure 10. Analog Schematic Part 2**

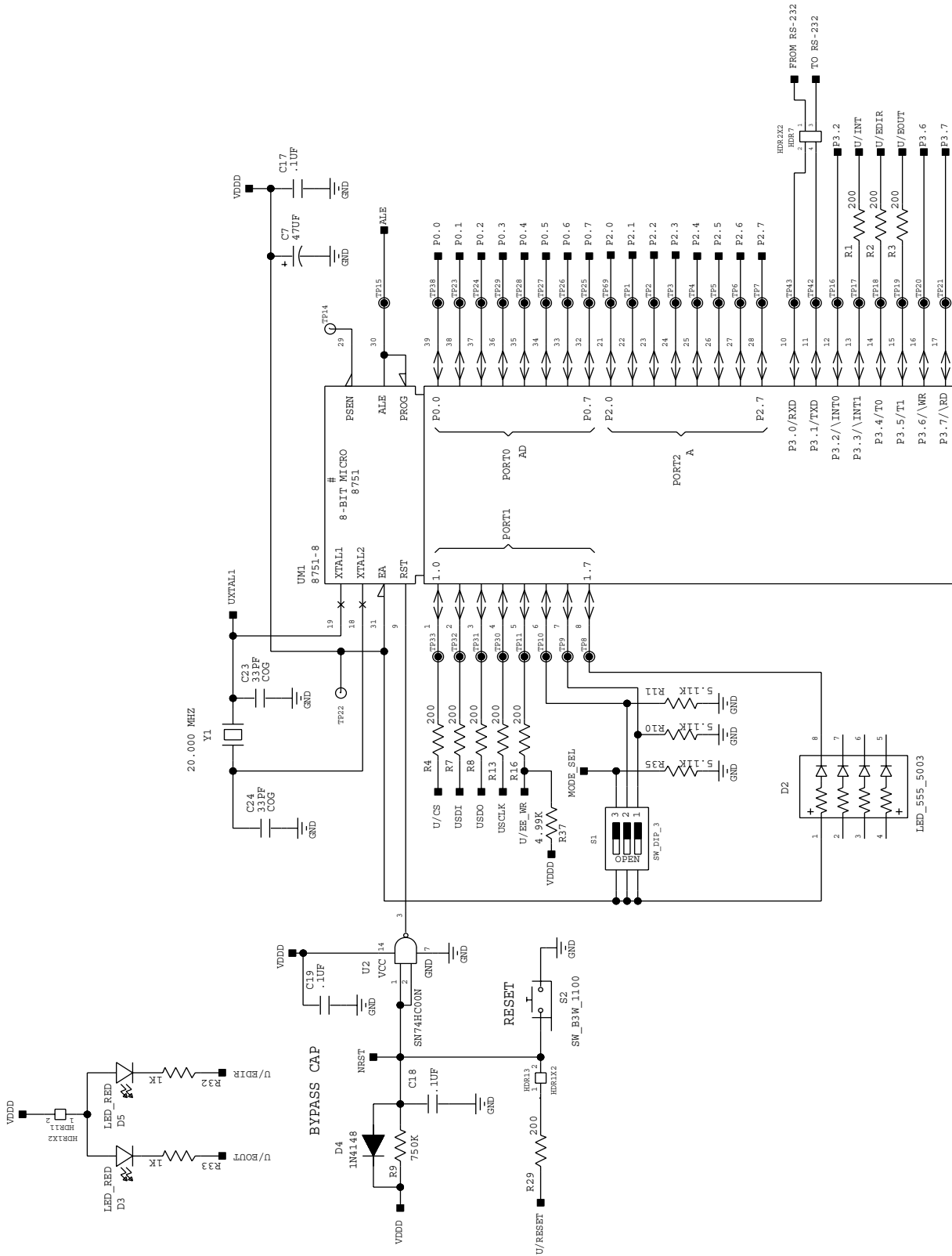
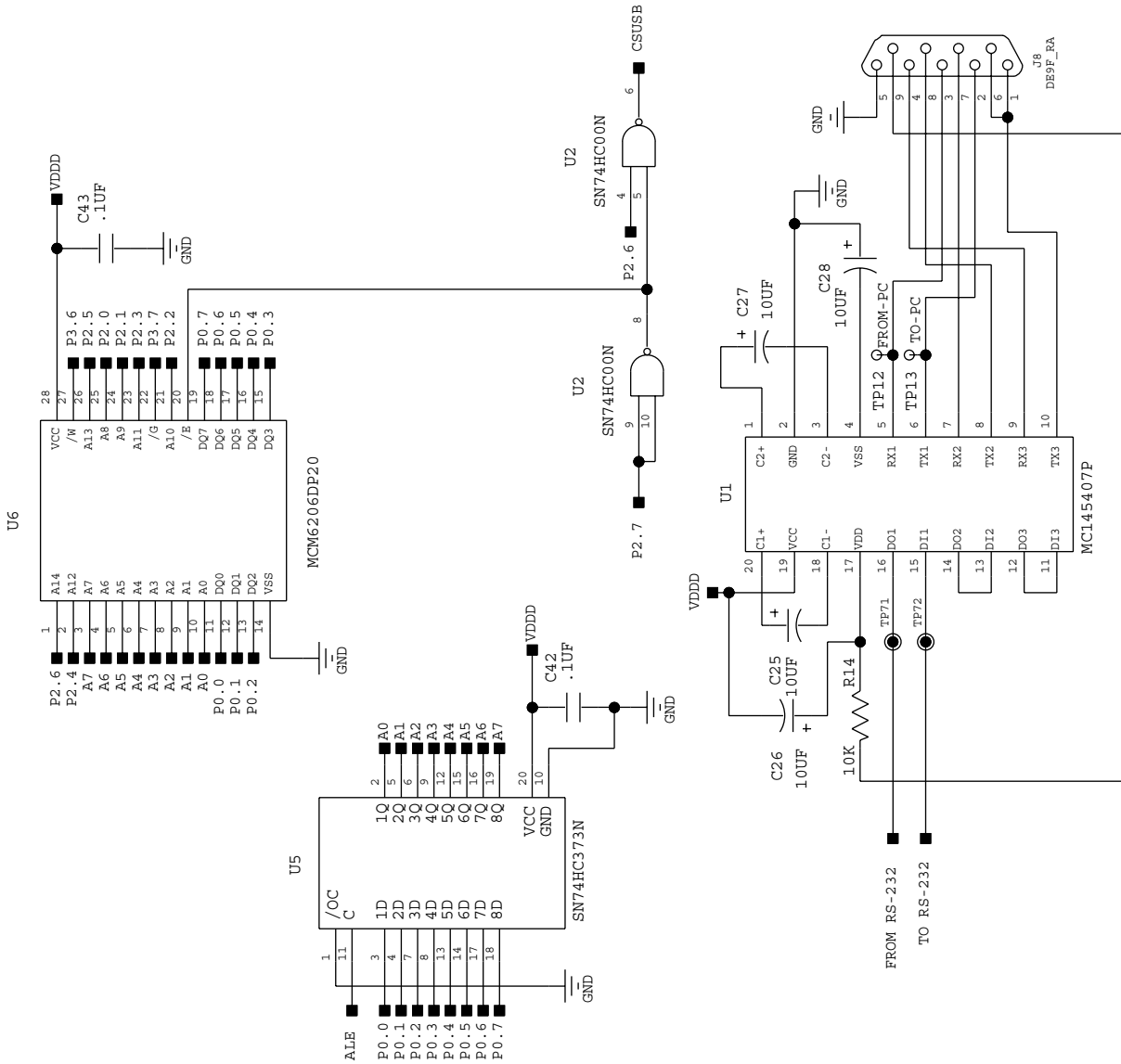
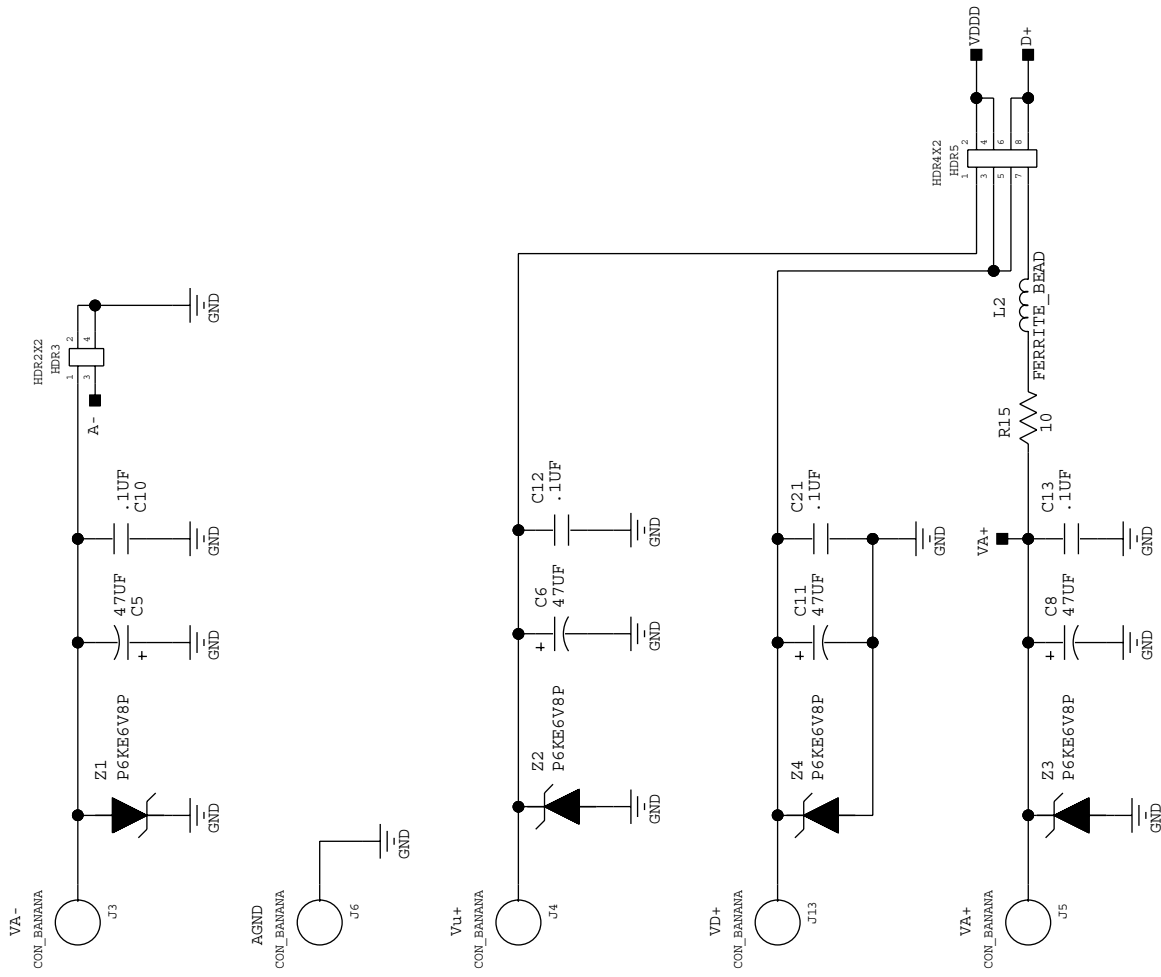


Figure 11. Digital Schematic Part 1



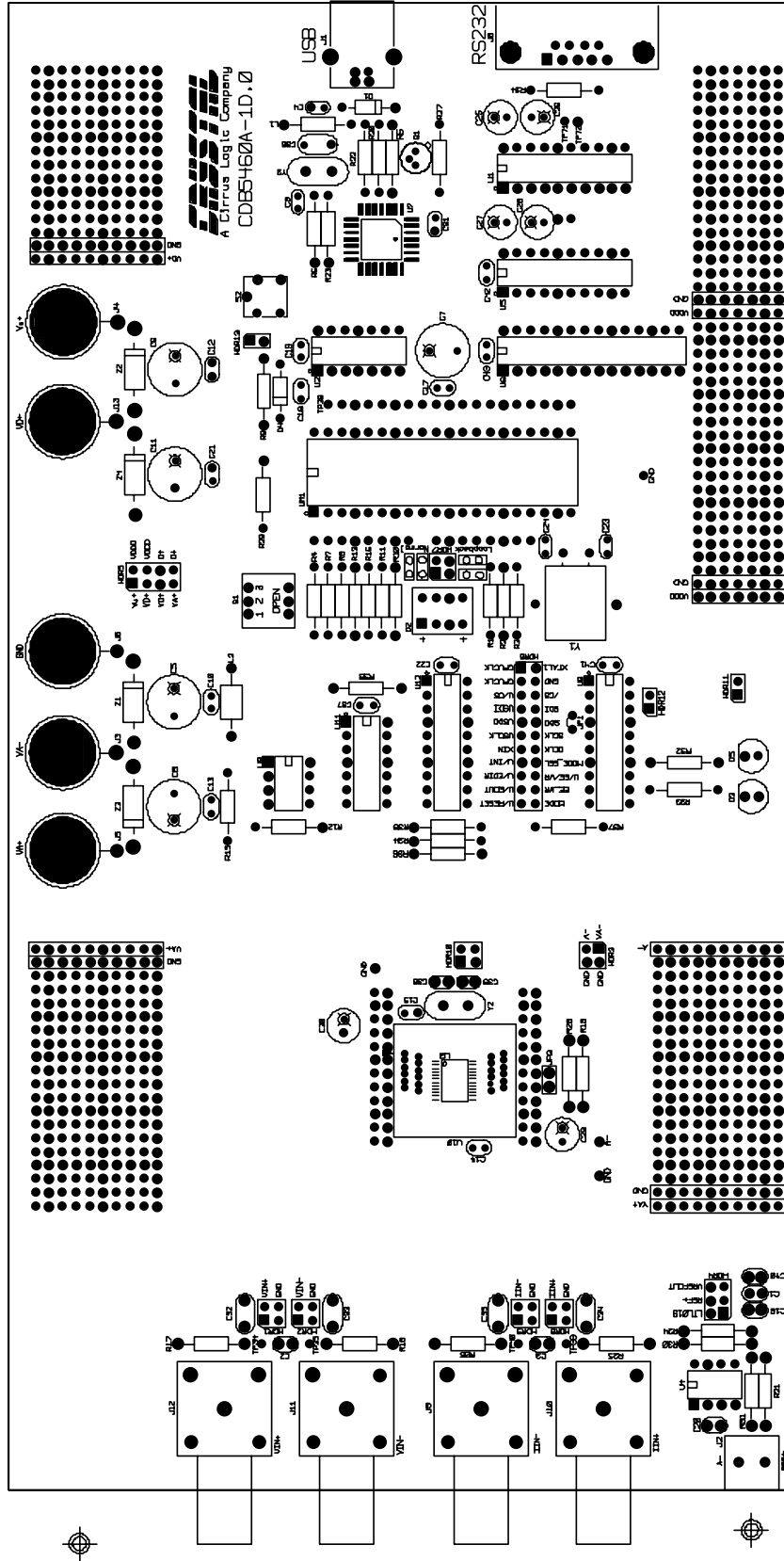
**Figure 12. Digital Schematic Part 2**



**Figure 13. Power Supply Schematic**



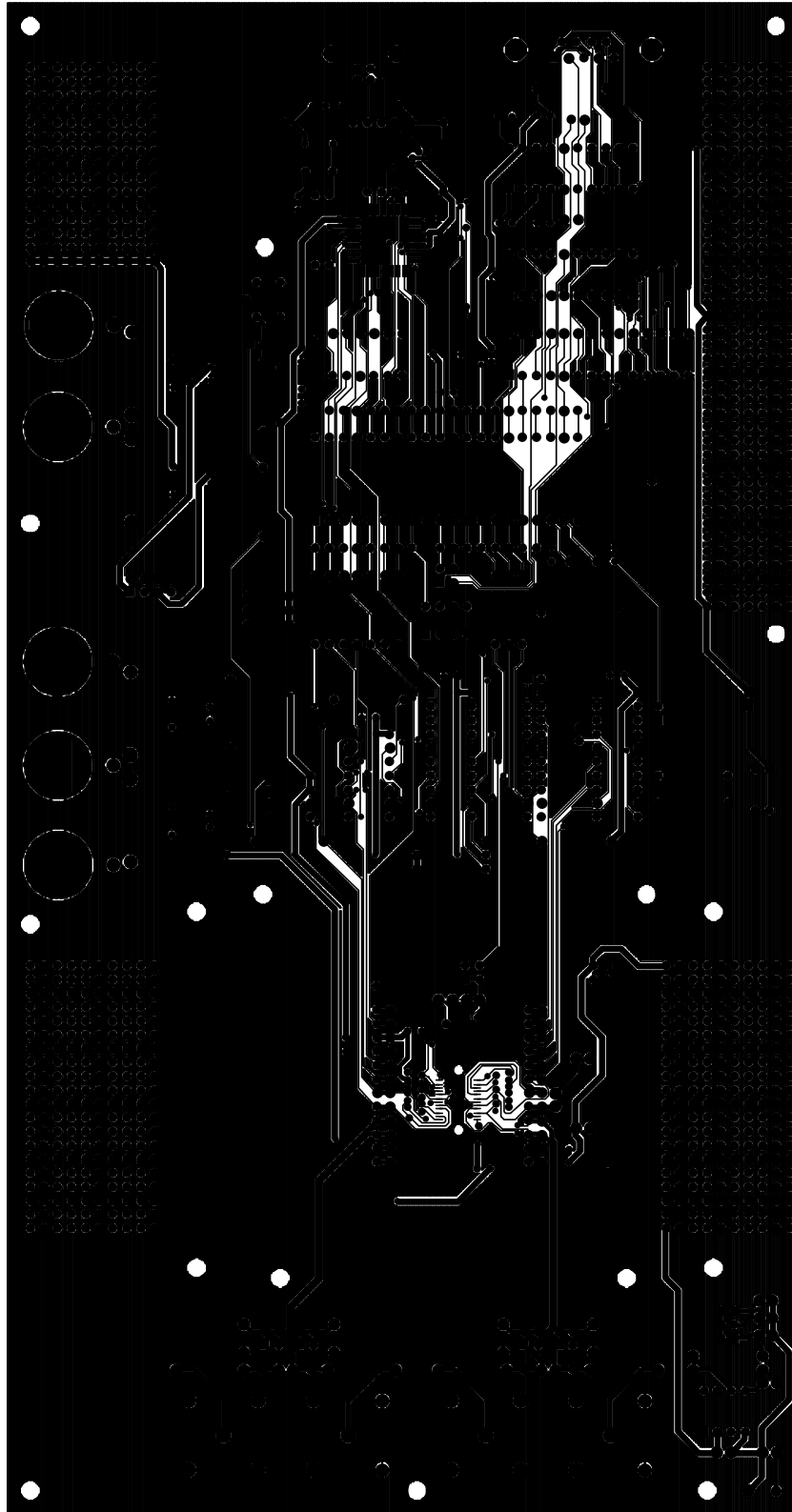
**CRYSTAL SEMICONDUCTOR  
CDB5460 CUSTOMER DEMO BOARD  
CDB5460A-1D.0**



SILKSCREEN - TOP

Figure 14. Silkscreen

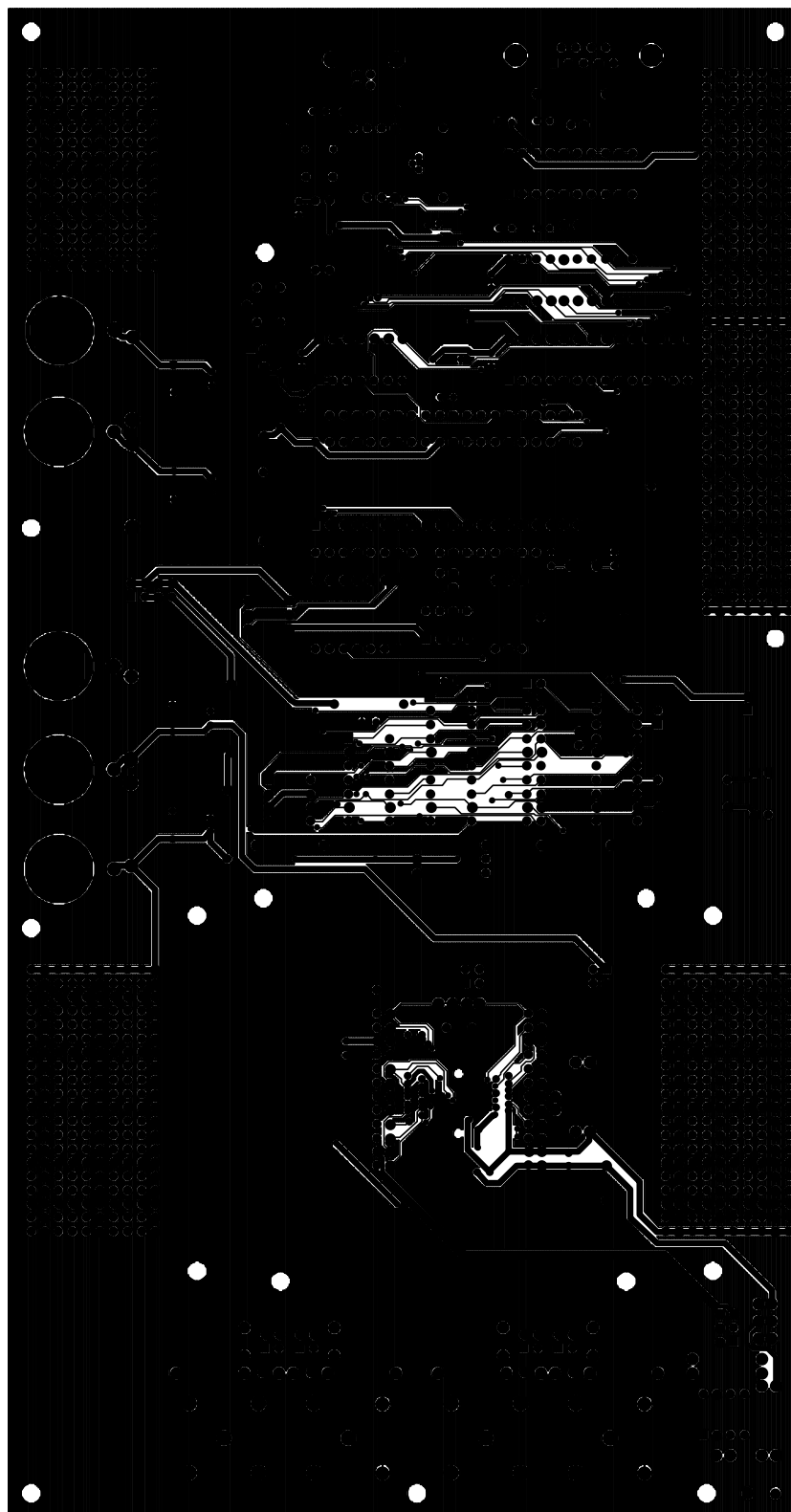
CRYSTAL SEMICONDUCTOR  
CDB5460 CUSTOMER DEMO BOARD  
CDB5460A-1D.0



TOP SIDE

Figure 15. Circuit Side

CRYSTAL SEMICONDUCTOR  
CDB5460 CUSTOMER DEMO BOARD  
CDB5460A-1D.0



BOTTOM SIDE

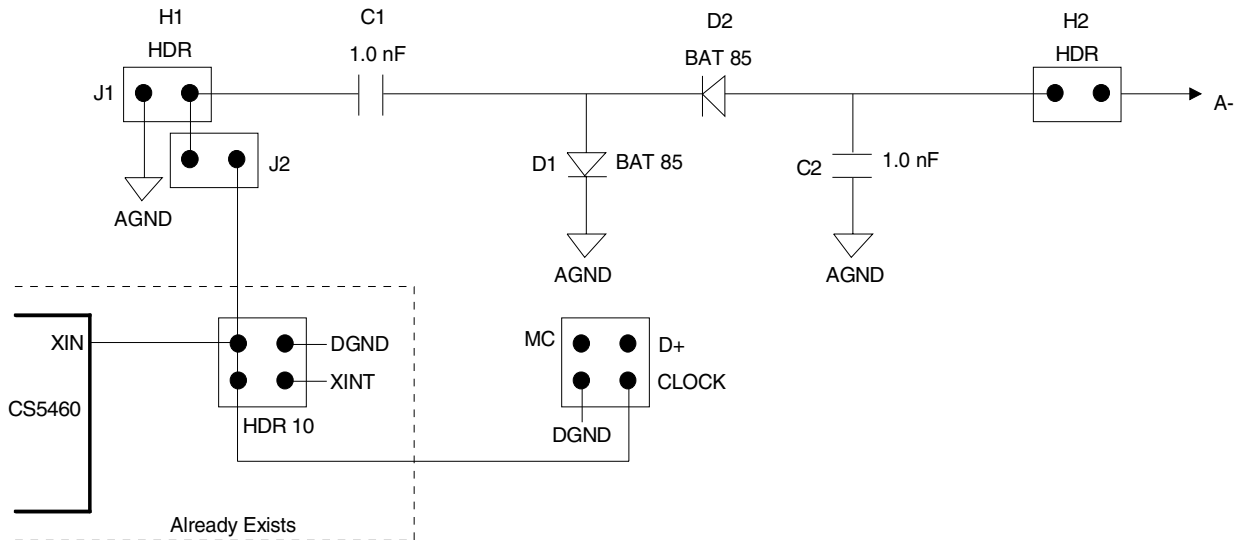
Figure 16. Solder Side

**3. ADDENDUM**

**3.1 Board Modifications for Charge Pump**

The CDB5460A can be modified by the user, to include a charge pump circuit, whose output could be used to supply the VA- supply pin in the +2.5V and -2.5V analog power configuration. The diagram below illustrates the schematic of such a circuit. The components must be added by the user.

- 1) Header H1 allows a clock source to be clipped across J1 with J2 open to analyze the charge pump by itself or drive it asynchronous to the CS5460A. With J1 open and J2 closed, the pump is clocked synchronously with the CS5460A. For best results, the charge pump should be clocked synchronously with the CS5460A.
- 2) The charge pump is constructed from components C1, C2, D1 and D2. D1 and D2 are BAT85 schottky diodes chosen for their speed and low forward voltage. Capacitor C1 provides the necessary current at 4.096 MHz. Capacitor C2 provides extra storage if the load on A- is increased. If the external reference is removed (and therefore the CS5460A is the only load on A-) C2 can be removed. The bypass capacitors from VA+ to A- will be sufficient.
- 3) Header H2 connects the charge pump to A-. H2 can be removed to analyze the unloaded performance of the charge pump. This should be closed for "charge-pump" mode operation.
- 4) A four-pin socket (U1) is added to connect an optional clock oscillator to the XIN pin and easily operate the CS5460A in "external clock" mode.



**Figure 17. CDB5460A Modifications for A- Charge Pump**

• **Notes** •

---

SMART  
Analog™